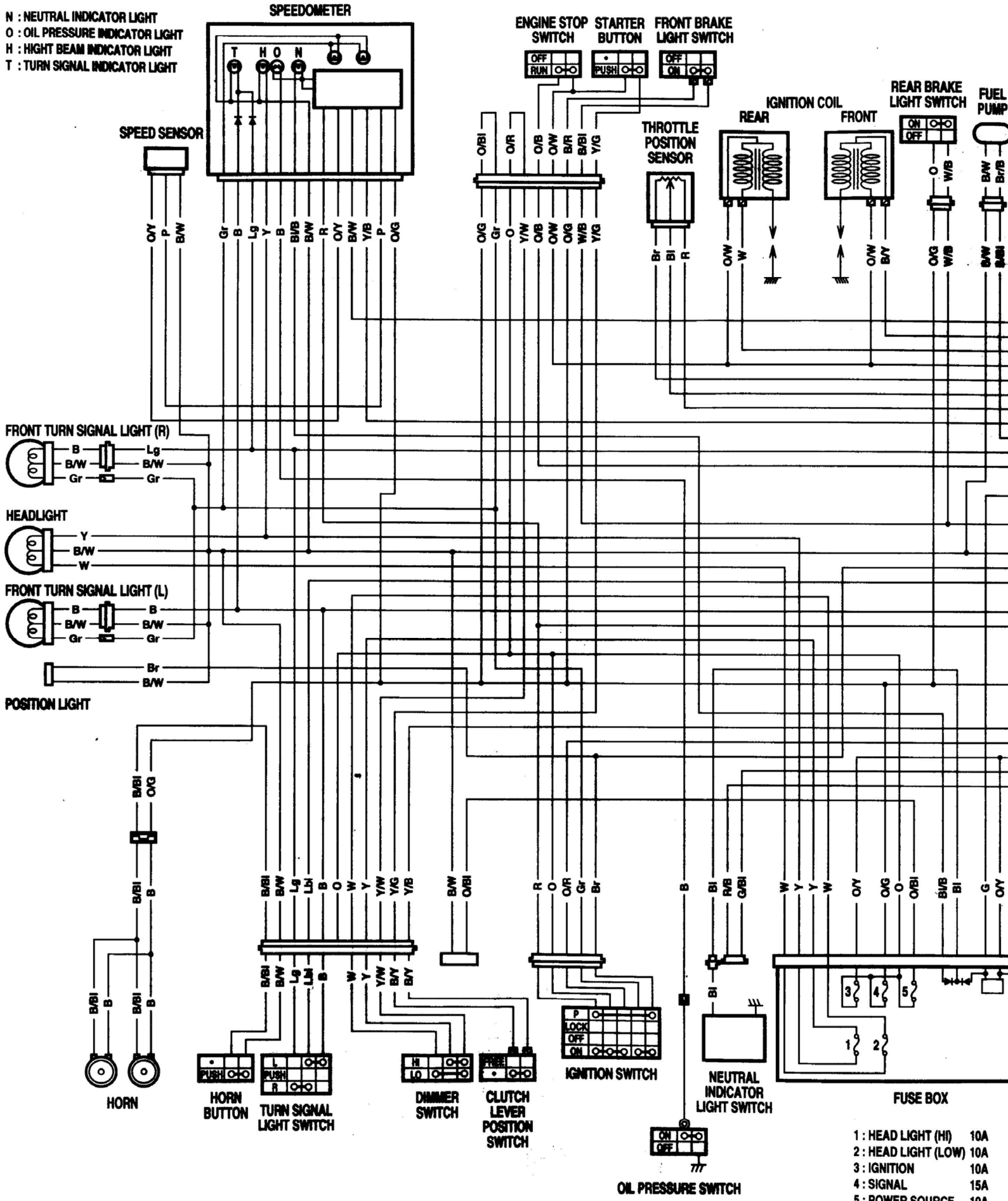
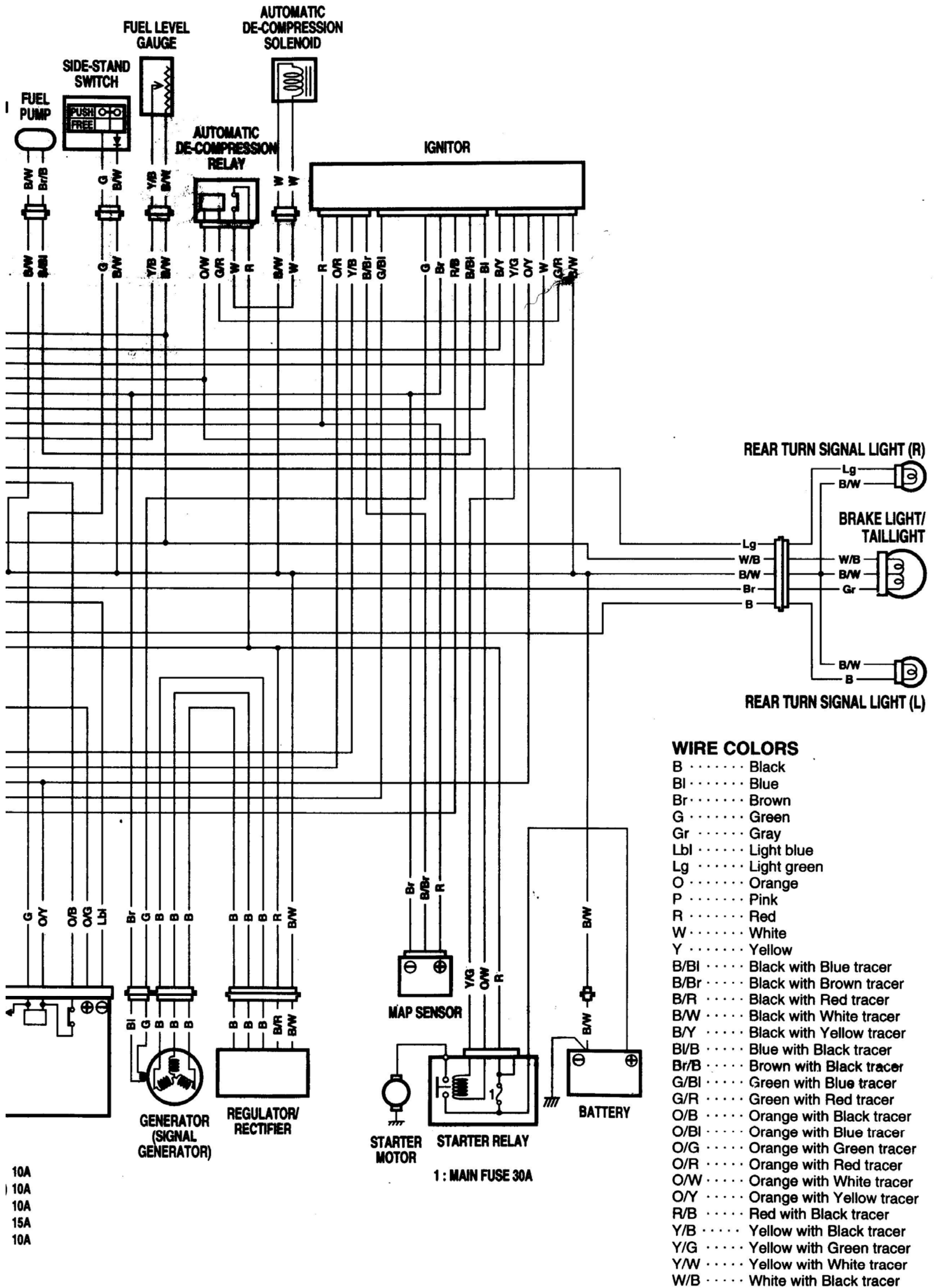


N : NEUTRAL INDICATOR LIGHT
 O : OIL PRESSURE INDICATOR LIGHT
 H : HIGHT BEAM INDICATOR LIGHT
 T : TURN SIGNAL INDICATOR LIGHT



- 1 : HEAD LIGHT (HI) 10A
- 2 : HEAD LIGHT (LOW) 10A
- 3 : IGNITION 10A
- 4 : SIGNAL 15A
- 5 : POWER SOURCE 10A



- WIRE COLORS**
- B Black
 - Bl Blue
 - Br Brown
 - G Green
 - Gr Gray
 - Lbl Light blue
 - Lg Light green
 - O Orange
 - P Pink
 - R Red
 - W White
 - Y Yellow
 - B/Bl Black with Blue tracer
 - B/Br Black with Brown tracer
 - B/R Black with Red tracer
 - B/W Black with White tracer
 - B/Y Black with Yellow tracer
 - Bl/B Blue with Black tracer
 - Br/B Brown with Black tracer
 - G/Bl Green with Blue tracer
 - G/R Green with Red tracer
 - O/B Orange with Black tracer
 - O/Bl Orange with Blue tracer
 - O/G Orange with Green tracer
 - O/R Orange with Red tracer
 - O/W Orange with White tracer
 - O/Y Orange with Yellow tracer
 - R/B Red with Black tracer
 - Y/B Yellow with Black tracer
 - Y/G Yellow with Green tracer
 - Y/W Yellow with White tracer
 - W/B White with Black tracer

10A
10A
10A
15A
10A

1: MAIN FUSE 30A